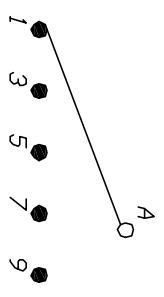
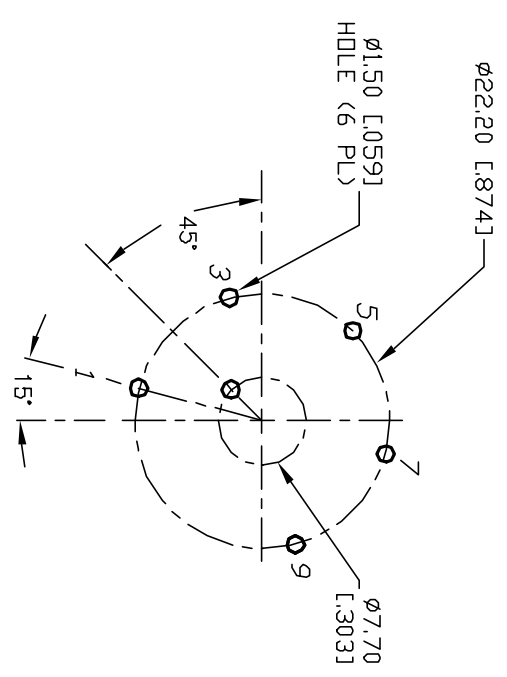


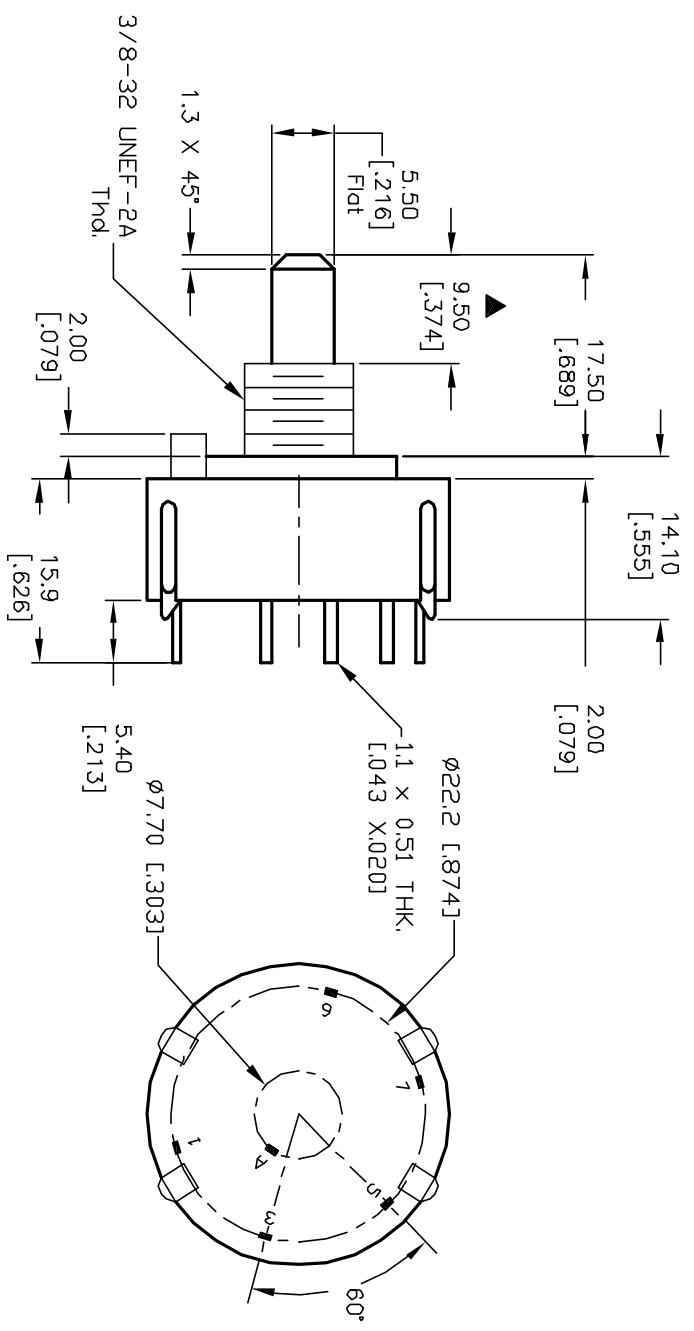
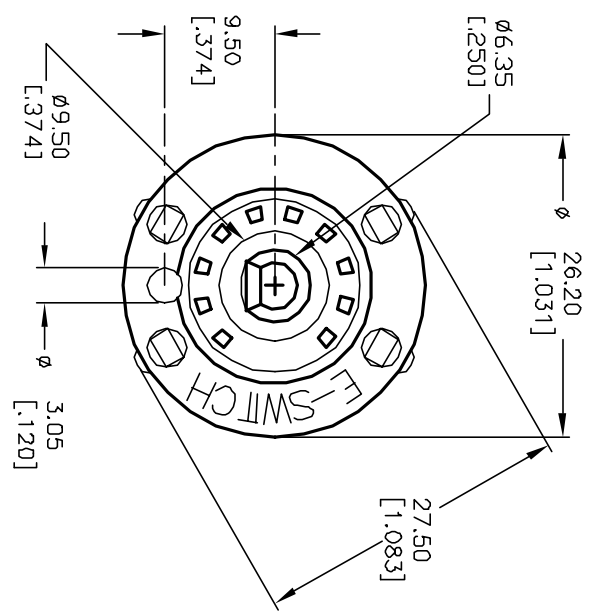
- NOTES:
1. ALL DIMENSION IN MM [INCH]
 2. GENERAL TOLERANCE: X.X=±0.4
X.XX=±0.25
 3. TERM. NOS. FOR REF. ONLY
 4. CONTACT RATING SWITCHING: 150mA, 250V AC/DC
350mA, 110V AC/DC
 5. CONTACT RATING (NON-SWITCHING) 5A
 6. CONTACT MATERIAL: GOLD FLASH OVER COPPER ALLOY.
 7. OPERATING FORCE: 425±100 CM/STANDARD
 8. OPERATING TEMP: -30° to 85°C
 9. CIRCUIT SP: 5 POSITIONS, 60° INDEX.
 10. DIELECTRIC STRENGTH 1000V RMS min. @ SEA LEVEL
 11. DESIGNATE MAJOR DIMENSIONS
 12. LOCK NUT AND WASHER NOT SHOWN.



CONTACT CONFIGURATION (BBM)



RECOMMENDED P.C.B. LAYOUT



E-SWITCH®

TITLE		SCALE		DATE		DR		DWG		REV	
KC-59-E-01-N-P-F		1.5:1		3/9/01		CJB		G510898		A	
REV.	ECN No.	DESCRIPTION	DATE	CHKD							
A	11294	RELEASED FOR PRODUCTION	3/9/01	CJB							
THE INFORMATION CONTAINED IN THIS DOCUMENT IS PROPRIETARY TO E-SWITCH AND IS NOT TO BE COPIED OR TRANSFERRED											